
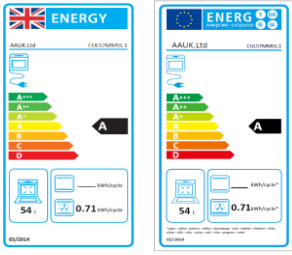

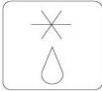


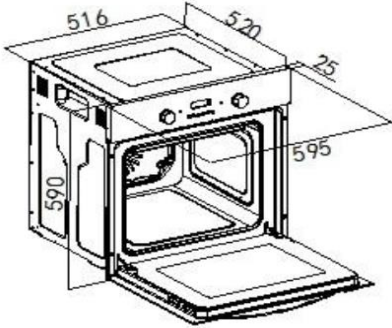


Appliance Data Sheet

Product Type	Electric Oven
Product Code	CUL57MMSS.1
	Product Description
	60cm True Fan Electric Oven
	
Features / Specification	
Barcode	8422248616461
Colour	Black / Stainless Steel
Cooking Type	True Fan
Control Type	Manual
Timer	No
Self Cleaning	No
No of Shelves	1
Oven Light	Yes
Functions	<div style="display: flex; justify-content: space-around; align-items: flex-start;"> <div style="text-align: center;"> <p>Oven Light</p>  </div> <div style="text-align: center;"> <p>Defrost mode</p>  </div> <div style="text-align: center;"> <p>Full Grill</p>  </div> <div style="text-align: center;"> <p>True fan</p>  </div> </div>
Dimensions & Technical Information	
	
Product Dimensions width x depth x height	595 x 520 x 590mm
Packed Dimensions width x depth x height	660 x 577 x 660mm
Product Weight (kg)	30kg Packed / 27kg Unpacked
Max Power	2350W
Supply Connection	13A (Fitted with BS 3 Pin Plug)
Net Oven Cavity	54L